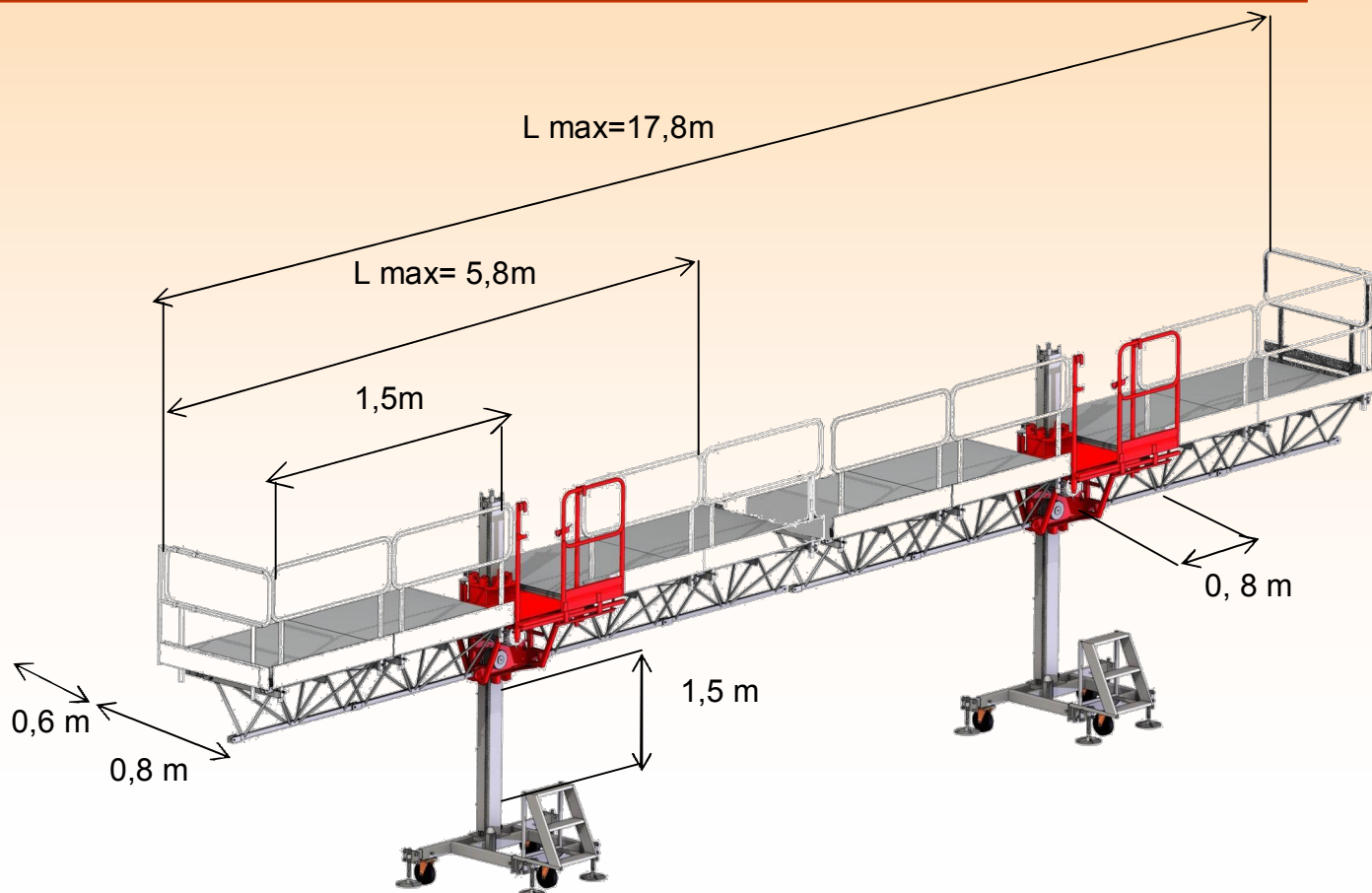


MAST CLIMBER WORK PLATFORMS MC - 10

TLF: +34918414162
fax: +34911412314
www.asclimber.com
mail@asclimber.com



CONTROLS AND SAFETY DEVICES

TECHNICAL DATA	TWIN MAST	SINGLE MAST
Max height	50 m (*)	
Max Length	17,8 m	5,8 m
Max Width	1,4 m (*)	
Max payload	1000 Kg	500 Kg
Max free standing height	6 m	
Distance between Tie	6 m	
Lifting speed	6 m / min.	
Power supply	380 V – 50 Hz – 3 phase (*) (**)	
Motors	2 X 1,5 Kw	1 X 1,5 Kw
Mast section weight	37 Kg	
Mast section height	1,5 m	

(*) Other values on request (**) Available also in single phase version

NOTE: Asclimber reserves the right to change any of the written specification without notice

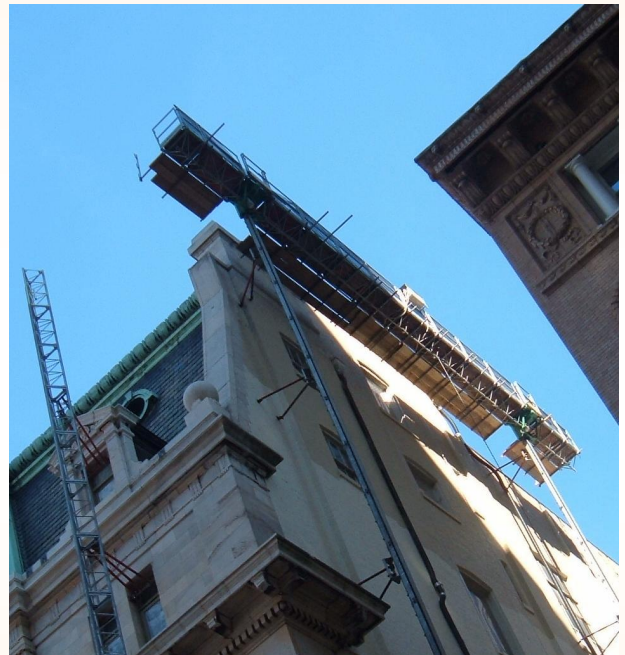
THE EASY CLIMBING

TLF: +34918414162
fax: +34911412314
www.asclimber.com
mail@asclimber.com

AREA EMPRESARIAL ANDALUCIA
C/Serranía de Ronda , 6-8
28320 PINTO (MADRID) ESPAÑA

MAST CLIMBER WORK PLATFORMS MC - 10

TLF: +34918414162
fax: +34911412314
www.asclimber.com
mail@asclimber.com



<ul style="list-style-type: none"> • Self braking motors 	<ul style="list-style-type: none"> • Over speed Emergency parachute brake
<ul style="list-style-type: none"> • Hot dip galvanised structural elements for a long duration 	<ul style="list-style-type: none"> • Top mast section with interrupted rack
<ul style="list-style-type: none"> • Safety Limit Switches for detention of mast presence 	<ul style="list-style-type: none"> • Audio travel alarm
<ul style="list-style-type: none"> • Safety Limit Switches for emergency brake , top and bottom controls(adjustable)and overrun . 	<ul style="list-style-type: none"> • Automatic self levelling device(Twin mast applications only)
<ul style="list-style-type: none"> • Safety interlock on access gate . 	<ul style="list-style-type: none"> • Emergency stop button
<ul style="list-style-type: none"> • Digital control of malfunctioning(optional) 	<ul style="list-style-type: none"> • Base levelling screw jacks with safety locks
<ul style="list-style-type: none"> • Phase control and over charge electrical protection . 	<ul style="list-style-type: none"> • Emergency "No Power "Manual descent device

THE EASY CLIMBING

TLF: +34918414162
fax: +34911412314
www.asclimber.com
mail@asclimber.com

AREA EMPRESARIAL ANDALUCIA
C/Serranía de Ronda , 6-8
28320 PINTO (MADRID) ESPAÑA